



BERNSTEIN Aluminium Suspension Systems **CS-3000 and CS-3000** *next*

Flexible, easy to assemble, ergonomic

Flexibility in operation and monitoring: The BERNSTEIN CS-3000 Family

In the main, system constructors expect modern suspension systems to feature variable configuration, progressive design and complete ease of installation. BERNSTEIN sets standards with the CS-3000 family: Modern industrial design, well-conceived ergonomics and multiple component combinations to create an innovative system solution on a modular principle.



Product features

- Long service life and safe operation thanks to anodised aluminium tubes
- Clean lines, thanks to smooth transitions between the tube and system components (very easy to clean)
- Coated tube fastening screws for sealing the thread holes and secure connections
- Relative appearance and connection of narrow profiles thanks to the possibility of reducing the cross section from square to round tube
- Protection class IP 65
- Modular flexible system lets you upgrade the couplings (also after installation), e.g. with adapters for slim enclosures or with tilt adapters
- Well designed ergonomics for simple and virtually fatigue free operation
- An ideal solution from a single source with BERNSTEIN control enclosures

Assembly

Thanks to the particularly easy way the CS-3000 family components combine, assembly is quick and simple, which for the system builder means great time savings and cost reductions.



Smooth combination through an intelligent design for easy-cleaning



Additional connection security through component design at the mounting area



User friendly adjustment at any time – without disassembling the complete system

In addition to the 'clamping' connection of the tube fastening screws:

- Sixfold positive connection is achieved via component design in the tube attachment area (optional additional safety screw for vertical mounting is not required)
- One person can install the complete system
- Stepless adjustment of system alignment by means of the tube fastening screws
- Readjustment possible at any time without disassembling the complete system
- Cable and assembly access covers on all deflection points in the system
- Different tube lengths offer the possibility of variability in assembly
- Tubes machined at one end so that users can cut to required length (machining templates supplied)

The new BERNSTEIN Aluminium Suspension System CS-3000^{neXt}

The CS-3000 neXt combines functionality with an appealing design. The new system is an important addition to the CS-3000 series, it is easy to clean and benefits from simplified installation, outstanding visual characteristics such as smooth transitions between tube and component and the high quality which BERNSTEIN is known for. The wide range of components, the high strength of the system and the load capacity provide individual solutions.



Product features

- Light-duty suspension system for lightweight control enclosures up to 50 kg with an extension arm length of 1 m
- Modular system for rapid implementation of individual solutions
- Maximum system length: 1.5 m
- Compatible with the CS-3000 series
- Panel couplings



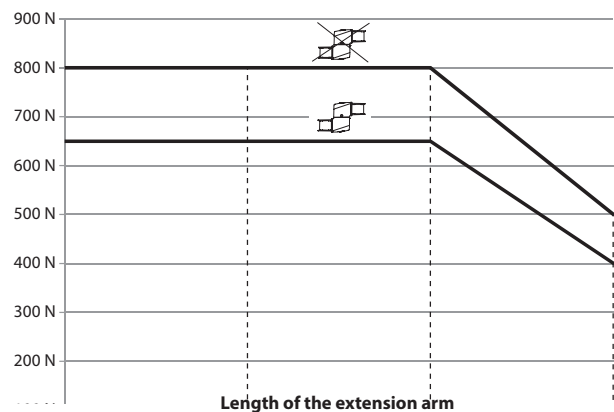
Materials

- Anodised aluminium profiles
- Components: Aluminium die cast
- Aluminium covers on installation openings
- Bearings: POM
- Seals: Neoprene

Colour

- Components: white aluminium, RAL 9006
- Tubes: Aluminium, naturally anodised
- Components and tubes can all be optionally powder-coated to a wide variety of RAL colours

Load diagram for static load capacity CS-3000 *next*



Highlights



Reducing elbow

- For combination of the CS-3000 with the light-duty suspension system CS-3000 neXt
- Fields of application:
 - Higher loads / extension arm lengths by using the CS-3000 in the horizontal
 - For connection of flat enclosures with narrow components and tubes in the vertical

Panel coupling

- For connection at the rear of displays / monitors with VESA
- For connection of flat control enclosures via the rear panel
- VESA flange size, hole pattern 75 and 100
- Suspension system attachment in vertical and horizontal version possible
- Individual colour combination of all components in accordance with RAL colours



Assembly

- Short assembly times and therefore extensive cost savings:
 - Slide the tube onto the component
 - Slightly press down
 - Tighten screws
- Cable and installation openings at all joints in the system
- Use of a DVI connector is possible


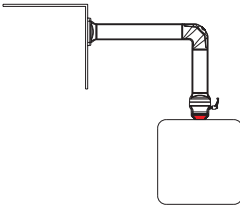
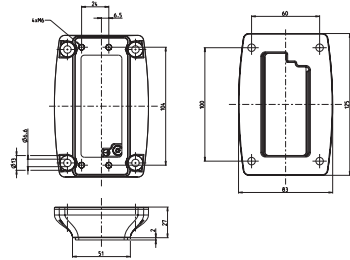

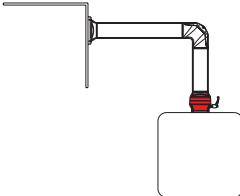
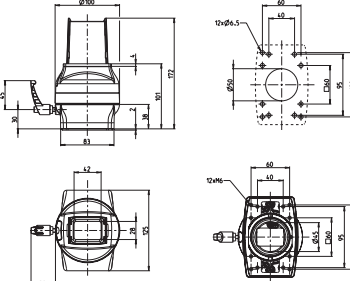

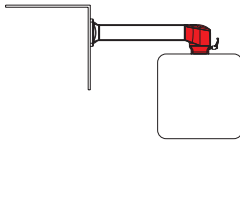
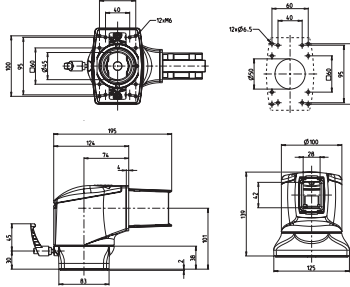

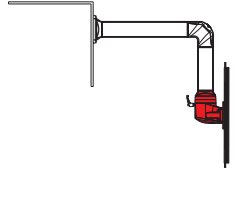
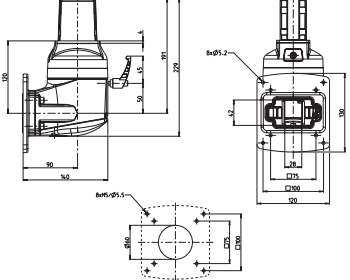

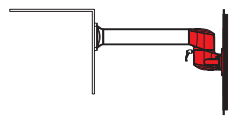
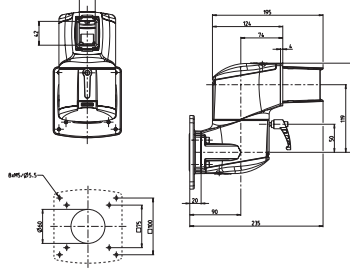
Tubes

- Standard lengths of 250 mm up to 1500 mm in 250 mm steps

Function


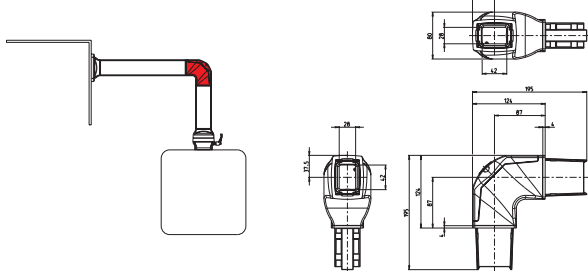

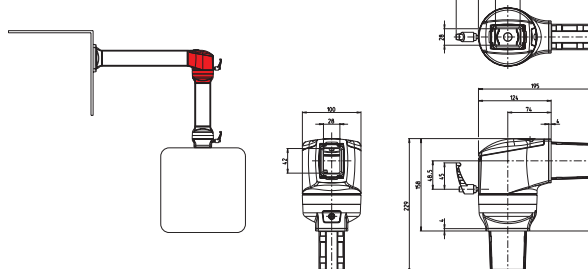

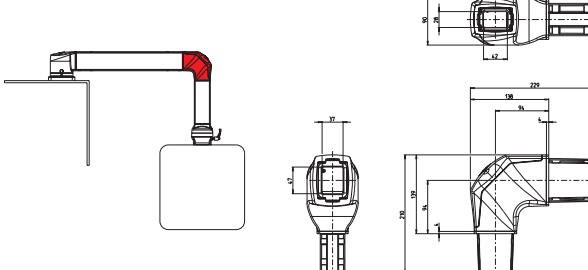

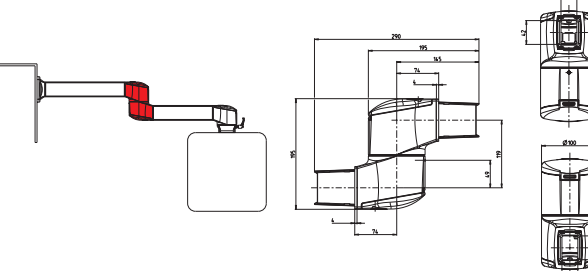

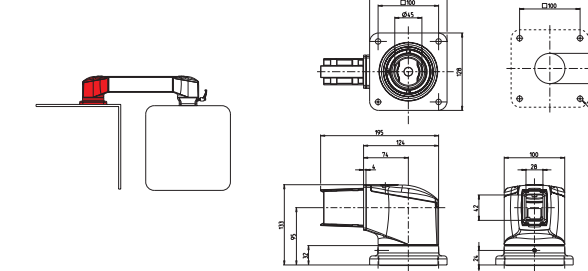
- Turning range of the rotary components: 300°
- Regulation of the rotation angle via swivel angle limiter

Ordering information

	Article	Application example	Dimensions in mm
	<p>Adapter (narrow section)</p> <p>1017300001 RAL 9006 white aluminium 1017300016 RAL 7016 anthracite grey</p> <ul style="list-style-type: none"> ● Only to be used together with couplings ● For attachment to narrow BERNSTEIN enclosure sections with depths < 120 mm 		
	<p>Straight coupling</p> <p>1017300002 RAL 9006 white aluminium 1017300017 RAL 7016 anthracite grey</p> <ul style="list-style-type: none"> ● Angle of rotation 300° with stop (Adapter (narrow section) is required for attachment to sections < 120 mm) 		
	<p>Elbow coupling</p> <p>1017300003 RAL 9006 white aluminium 1017300018 RAL 7016 anthracite grey</p> <ul style="list-style-type: none"> ● Angle of rotation 300° with stop ● Screw-fit installation opening 		
	<p>Panel coupling S</p> <p>1017300004 RAL 9006 white aluminium 1017300019 RAL 7016 anthracite grey</p> <ul style="list-style-type: none"> ● For attachments to the rear of panels / displays or control enclosures with screw-fit rear panel ● Standard hole pattern VESA 75/100 ● Angle of rotation 300° with stop ● Screw-fit installation opening 		
	<p>Panel coupling W</p> <p>1017300005 RAL 9006 white aluminium 1017300020 RAL 7016 anthracite grey</p> <ul style="list-style-type: none"> ● For attachments to the rear of panels / displays or control enclosures with screw-fit rear panel ● Standard hole pattern VESA 75/100 ● Angle of rotation 300° with stop ● Screw-fit installation opening 		


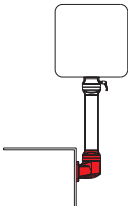
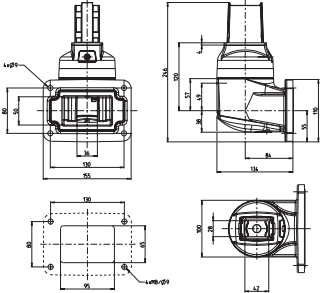

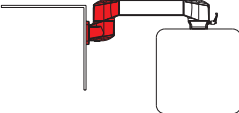
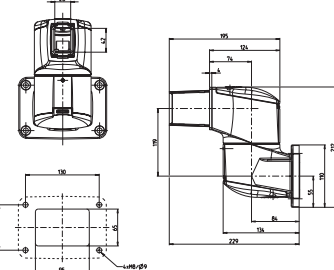

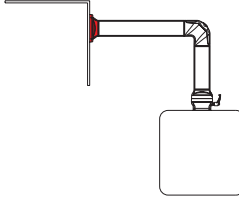
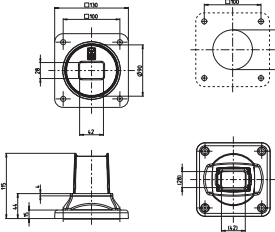


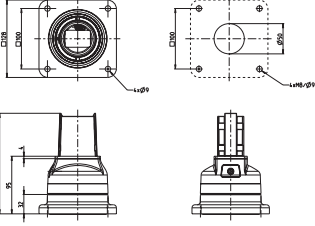

Ordering information

CAD files available
at www.bernstein.eu

Article	Application example	Dimensions in mm
	<p>Elbow</p> <p>1017300007 RAL 9006 white aluminium 1017300022 RAL 7016 anthracite grey</p> <ul style="list-style-type: none"> ● Screw-fit installation opening 	
	<p>Elbow, rotary</p> <p>1017300008 RAL 9006 white aluminium 1017300023 RAL 7016 anthracite grey</p> <ul style="list-style-type: none"> ● Angle of rotation 300° with stop ● Screw-fit installation opening 	
	<p>Reducing elbow</p> <p>1017300009 RAL 9006 white aluminium 1017300024 RAL 7016 anthracite grey</p> <ul style="list-style-type: none"> ● Elbow coupling for combination of CS-3000 neXt and CS-3000 suspension systems ● Screw-fit installation opening 	
	<p>Intermediate joint</p> <p>1017300010 RAL 9006 white aluminium 1017300025 RAL 7016 anthracite grey</p> <ul style="list-style-type: none"> ● Angle of rotation 300° with stop ● 2 screw-fit installation openings 	
	<p>Top joint</p> <p>1017300014 RAL 9006 white aluminium 1017300029 RAL 7016 anthracite grey</p> <ul style="list-style-type: none"> ● Angle of rotation 300° with stop ● Screw-fit installation opening 	

Ordering information

CAD files available
at www.bernstein.eu

	Article	Application example	Dimensions in mm
	<p>Wall joint S</p> <p>1017300011 RAL 9006 white aluminium 1017300026 RAL 7016 anthracite grey</p> <ul style="list-style-type: none"> ● Angle of rotation 300° with stop ● Screw-fit installation opening 		
	<p>Wall joint W</p> <p>1017300012 RAL 9006 white aluminium 1017300027 RAL 7016 anthracite grey</p> <ul style="list-style-type: none"> ● Angle of rotation 300° with stop ● 2 screw-fit installation openings 		
	<p>Base / wall flange</p> <p>1017300015 RAL 9006 white aluminium 1017300030 RAL 7016 anthracite grey</p>		
	<p>Base, rotary</p> <p>1017300013 RAL 9006 white aluminium 1017300028 RAL 7016 anthracite grey</p> <ul style="list-style-type: none"> ● Angle of rotation 300° with stop 		
	<p>Tube profiles</p>	<p>see page 19</p>	

Aluminium Suspension System CS-3000



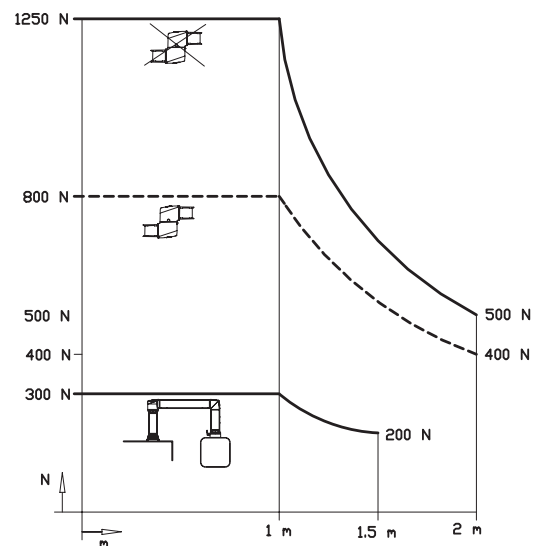
Materials

- Anodised aluminium profiles
- Components: Aluminium die cast
- Component cover plates: Polyamide
- Bearings: POM
- Seals: Neoprene


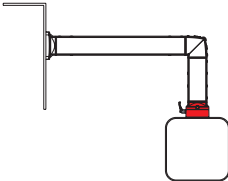
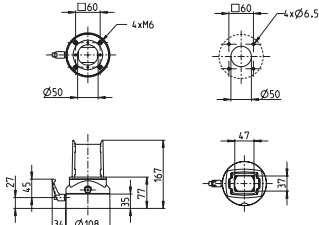

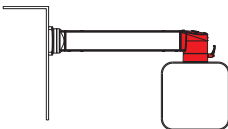
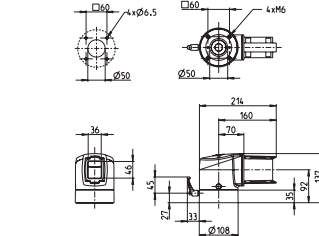

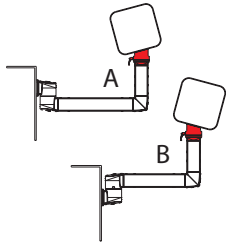
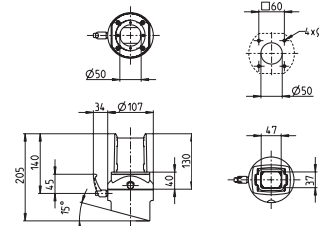

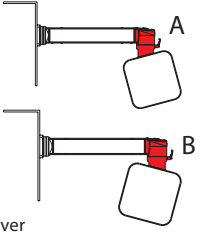
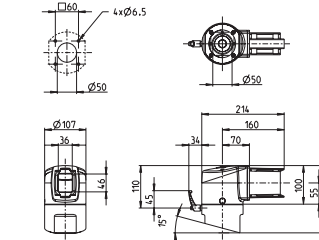

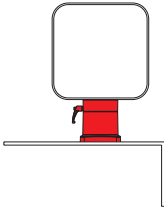
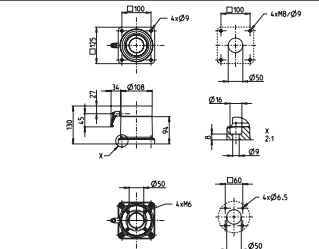

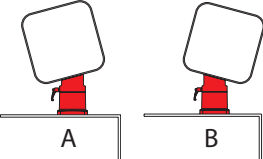
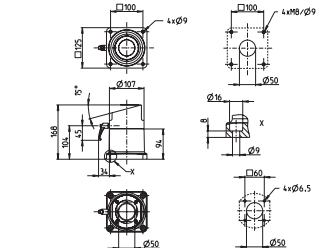
Colour

- Components: white aluminium, RAL 9006
- Connecting tubes: silver (natural) anodised

Load diagram for static load capacity CS-3000


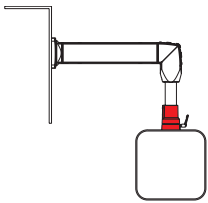
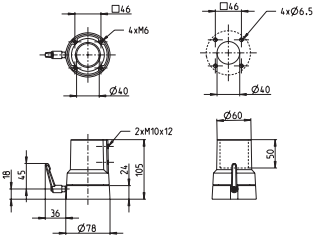

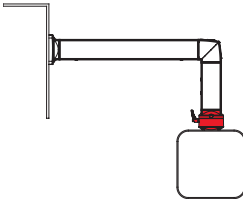
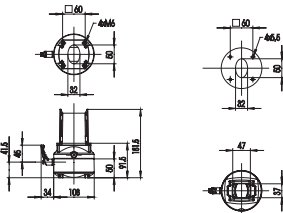

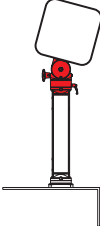
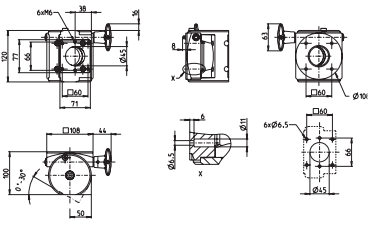

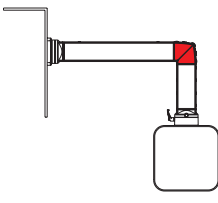
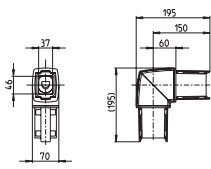

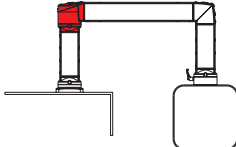
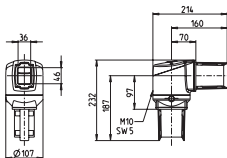

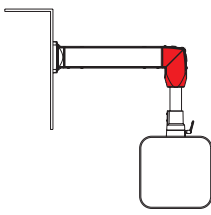
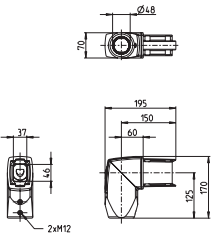


Ordering information


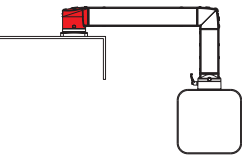
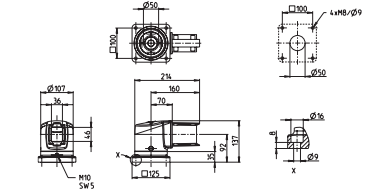

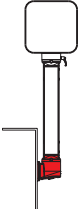
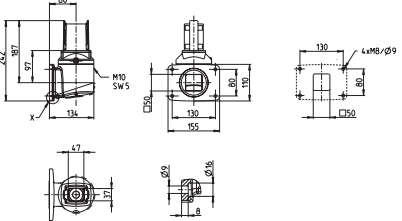

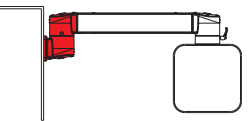
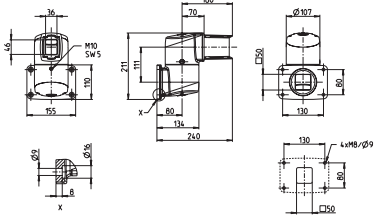

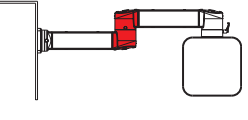
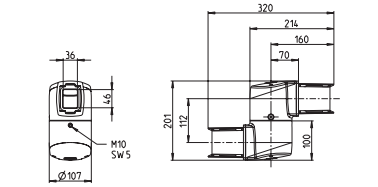
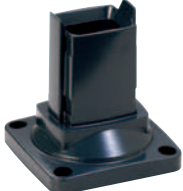
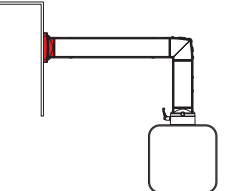
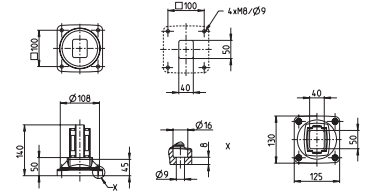

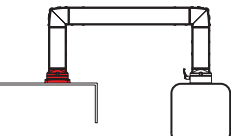
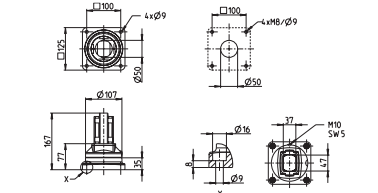
	Article	Application example	Dimensions in mm
	<p>Straight coupling</p> <p>1015300177 RAL 9006 white aluminium 1015300001 RAL 7016 anthracite grey</p> <ul style="list-style-type: none"> ● Angle of rotation 300° with stop (Adapter 1015300011 is required for attachment to sections < 120 mm) 		
	<p>Elbow coupling</p> <p>1015300178 RAL 9006 white aluminium 1015300002 RAL 7016 anthracite grey</p> <ul style="list-style-type: none"> ● Angle of rotation 300° with stop ● Installation opening including screw-fit plastic cover 		
	<p>Tilt coupling 15° A/B</p> <p>1015300179 A RAL 9006 white aluminium 1015300013 A RAL 7016 anthracite grey 1015300180 B RAL 9006 white aluminium 1015300014 B RAL 7016 anthracite grey</p> <ul style="list-style-type: none"> ● Angle of rotation 300° with stop ● Fixed tilt of 15° (variant A tilted back – variant B tilted forward) 		
	<p>Tilt elbow coupling 15° A/B</p> <p>1015300181 A RAL 9006 white aluminium 1015300015 A RAL 7016 anthracite grey 1015300182 B RAL 9006 white aluminium 1015300016 B RAL 7016 anthracite grey</p> <ul style="list-style-type: none"> ● Angle of rotation 300° with stop ● Fixed tilt of 15° (variant A tilted back – variant B tilted forward) ● Installation opening including screw-fit plastic cover 		
	<p>Base coupling</p> <p>1015300183 RAL 9006 white aluminium 1015300017 RAL 7016 anthracite grey</p> <ul style="list-style-type: none"> ● Angle of rotation 300° with stop 		
	<p>Tilt base coupling 15° A/B</p> <p>1015300184 A RAL 9006 white aluminium 1015300018 A RAL 7016 anthracite grey 1015300185 B RAL 9006 white aluminium 1015300019 B RAL 7016 anthracite grey</p> <ul style="list-style-type: none"> ● Angle of rotation 300° with stop ● Fixed tilt of 15° (variant A tilted back – variant B tilted forward) 		

Ordering information

CAD files available
at www.bernstein.eu

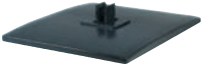
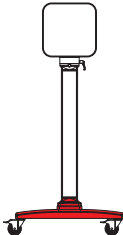
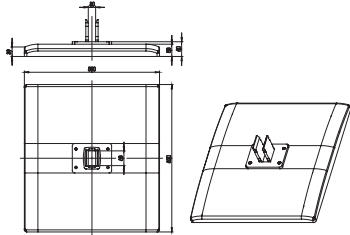

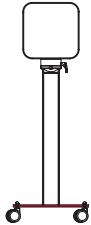
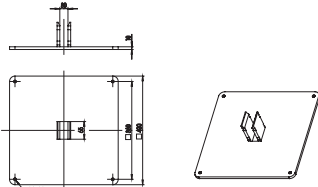

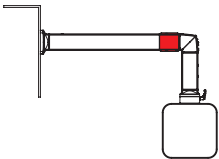
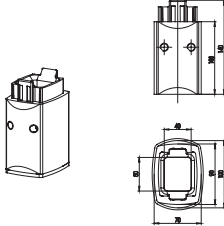

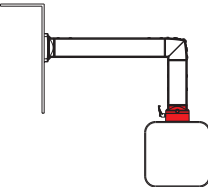
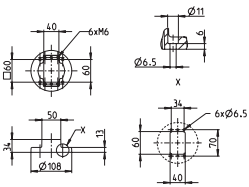

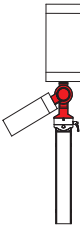
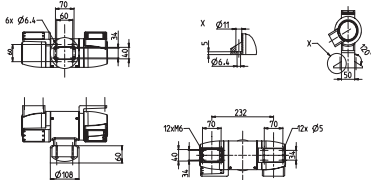

	Article	Application example	Dimensions in mm
	<p>Straight coupling 48</p> <p>1013056000 RAL 9006 white aluminium 1013050000 RAL 7016 anthracite grey</p> <ul style="list-style-type: none"> ● Angle of rotation 300° with stop ● Only compatible with 48 mm round tube <p>(Adapter 9806520000 is required for attachment to 80 mm section)</p>		
	<p>Coupling for Siemens SIMATIC Pro®</p> <p>1015300187 RAL 9006 white aluminium 1015300043 RAL 7016 anthracite grey</p> <ul style="list-style-type: none"> ● Customised coupling for Siemens SIMATIC Pro® ● Angle of rotation 300° with stop ● Other coupling combination are available upon request 		
	<p>Tilt adapter (30° infinitely variable)</p> <p>1015300193 RAL 9006 white aluminium 1015300012 RAL 7016 anthracite grey</p> <ul style="list-style-type: none"> ● Infinitely variable tilt up to 30° ● Maximum load: 300 N ● Not compatible with 1013050000, as well as Siemens SIMATIC Pro® couplings (Used only together with couplings) 		
	<p>Elbow</p> <p>1015300195 RAL 9006 white aluminium 1015300008 RAL 7016 anthracite grey</p> <ul style="list-style-type: none"> ● With installation opening including screw-fit plastic cover 		
	<p>Elbow, rotary</p> <p>1015300196 RAL 9006 white aluminium 1015300009 RAL 7016 anthracite grey</p> <ul style="list-style-type: none"> ● Angle of rotation 300° with stop ● Installation opening including screw-fit plastic cover 		
	<p>Elbow, reduced RD 48</p> <p>1015300197 RAL 9006 white aluminium 1015300020 RAL 7016 anthracite grey</p> <ul style="list-style-type: none"> ● Reducer elbow from the square tube to 48 mm round tube 		

Ordering information

	Article	Application example	Dimensions in mm
	<p>Top joint</p> <p>1015300198 RAL 9006 white aluminium 1015300003 RAL 7016 anthracite grey</p> <ul style="list-style-type: none"> ● Angle of rotation 300° with stop ● Installation opening including screw-fit plastic cover 		
	<p>Wall joint S</p> <p>1015300199 RAL 9006 white aluminium 1015300006 RAL 7016 anthracite grey</p> <ul style="list-style-type: none"> ● Angle of rotation 300° with stop ● Installation opening including screw-fit plastic cover 		
	<p>Wall joint W</p> <p>1015300200 RAL 9006 white aluminium 1015300007 RAL 7016 anthracite grey</p> <ul style="list-style-type: none"> ● Angle of rotation 300° with stop ● 2 installation openings including screw-fit plastic covers 		
	<p>Intermediate joint</p> <p>1015300201 RAL 9006 white aluminium 1015300004 RAL 7016 anthracite grey</p> <ul style="list-style-type: none"> ● Angle of rotation 300° with stop ● 2 installation openings including screw-fit plastic covers 		
	<p>Base / wall flange</p> <p>1015300204 RAL 9006 white aluminium 1015300010 RAL 7016 anthracite grey</p>		
	<p>Base, rotary</p> <p>1015300205 RAL 9006 white aluminium 1015300005 RAL 7016 anthracite grey</p> <ul style="list-style-type: none"> ● Angle of rotation 300° with stop 		

Ordering information

CAD files available
at www.bernstein.eu

	Article	Application example	Dimensions in mm
	<p>Large free-standing base 1015300206 RAL 9006 white aluminium 1015300027 RAL 7016 anthracite grey</p>		
	<p>Small free-standing base 1015300207 RAL 9006 white aluminium 1015300028 RAL 7016 anthracite grey</p>		
	<p>Tube adapter 1015300208 RAL 9006 white aluminium 1015300039 RAL 7016 anthracite grey</p> <ul style="list-style-type: none"> Required for connecting tubes shortened directly at place of installation <p>(Tubes machined at one end and of unspecified lengths can be cut to size and connected to the system with the tube adapter)</p>		
	<p>Adapter (narrow section) 1015300209 RAL 9006 white aluminium 1015300011 RAL 7016 anthracite grey</p> <ul style="list-style-type: none"> For attachment to BERNSTEIN enclosures with depths <120 mm <p>(Only to be used together with couplings)</p>		
	<p>Coupling head 9808017400 RAL 9006 white aluminium 9806818000 RAL 7016 anthracite grey</p> <ul style="list-style-type: none"> Coupling head for infinitely variable, pivoted attachment of control enclosures (infinitely variable from 0° to 30°) and keyboard consoles (infinitely variable from 0° to 20°) to coupling components CS-3000 		
	<p>Bent Tube Customer-specific</p> <ul style="list-style-type: none"> Bent tube manufactured to individual specifications (dimensions min. 500 mm, max. 1000 mm) 	<p>see page 18</p>	

Vertically adjustable module CS-3000 HV

The vertically adjustable suspension system CS-3000 HV allows users of all sizes to work in an ergonomic manner. The gas-filled damper system supports the user while the height is being raised or lowered and prevents it from dropping suddenly after the clamping lever is released. A high level of operating convenience and ease of installation is guaranteed by the interior cable ducting.



Art. No. 101.5300.022	CS-3000 HV 1000/100
Art. No. 101.5300.023	CS-3000 HV 800/100
Art. No. 101.5300.029	CS-3000 HV 1000/150
Art. No. 101.5300.030	CS-3000 HV 800/150
Art. No. 101.5300.031	CS-3000 HV 1000/200
Art. No. 101.5300.032	CS-3000 HV 800/200
Art. No. 101.5300.033	CS-3000 HV 1000/300
Art. No. 101.5300.034	CS-3000 HV 800/300

Explanation: Designation **CS-3000 HV800/100**

Vertically adjustable system

Length of square tube

Force of gas pressure spring
in Newtons [N]

Coupling 48, stand base or mounting bracket and enclosure are not included in the scope of delivery.

Selection parameters

- The selection of the size of the gas pressure spring depends on the total weight and the ambient temperature

- The total weight is calculated from:
Enclosure + installed equipment +
coupling components

Ambient temperature	40 °C	100 N (6 – 11 kg)	150 N (11 – 19 kg)	200 N (19 – 29 kg)	300 N (29 – 39 kg)
	30 °C	100 N (5,5 – 10,5 kg)	150 N (10,5 – 18 kg)	200 N (18 – 27,5 kg)	300 N (27,5 – 37 kg)
	20 °C	100 N (5 – 10 kg)	150 N (10 – 17 kg)	200 N (17 – 26 kg)	300 N (26 – 35 kg)
Gas pressure spring force / total weight					

Accessories

Article



Swivel angle limiter CS-3000

9805296000

- Swivel angle limiter for coupling and joint components
- Adjustable in steps of 13.7°
- Contains ten Ø 10 mm steel balls

Article



Swivel angle limiter CS-3000 neXt

9806906000

- Swivel angle limiter for coupling and joint components
- Adjustable in steps of 30°
- Contains 6 swivel angle limiter

Apparatus castors

9808015300



- Castor set, consisting of 2 steering castors and 2 steering castors with total locking for free-standing bases
- Load-bearing capacity of each castor 70 kg

Levelling feet

9808012900



- Height-adjustable feet (1 set = 4 pieces) for free-standing bases

Floor anchoring

9808014100



- Floor anchoring set for the large stand

Industrial castors

9808012800



- Castor set, consisting of 4 steering castors with locking brake
- Load-bearing capacity of each castor 50 kg

Signal lamp adapter

9805317000 Joint components
9805318000 Elbow components



- For connecting commercially available 25 mm diameter signal lamps to CS-3000 suspension system components

Adapter plate

9806678000



- For connecting adapter flange to coupling 48

(9806520000 required together with coupling RD 48 for attachment to CC-4000 section 80)

Adapter flange

9806649000



- For enclosure with door section and / or keyboard

Screw cover set

9806590000



- Plastic covers for sealing the tube fastening screws RAL 9006
- Kit contains 50 pcs.

CS-3000 Bent Tube

Design, simple assembly and ease of cleaning as well as variety of components, load bearing capacity and quality are important criteria for the choice of a suitable suspension system. All of these characteristics are offered by BERNSTEIN's CS-3000 Family including the new Bent Tube. Unlike traditional types of configurations (tube – elbow – tube), the exceptional single piece construction offers a wide range of application opportunities. It is particularly suitable for operator control panels or console enclosures with suspension arm attachments on the bottom, as it reduces the possibility of projection impact injury to machine operator and surrounding people.



Product features

- Material: Anodised aluminium
- Cross-sectional dimension of the tube: 70 x 90 mm (to match CS-3000 components)
- No limitation of the load bearing capacity compared to traditional systems with straight tubes
- Reduced assembly time due to its elbow free design
- Snag free cable routing
- Manufactured to individual specifications (dimensions min. 500 mm, max. 1000 mm)



Application examples

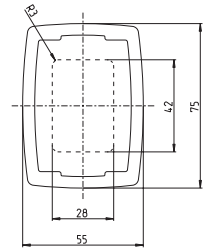


Tubes

	Standard lengths (available from stock)	Article number	Tube cross sections
CS-3000 neXt Aluminium connection section			



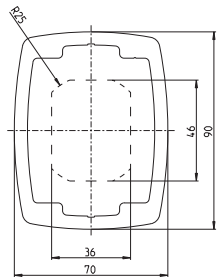
Length 55 x 75 x 250 mm	9524700001
Length 55 x 75 x 500 mm	9524700002
Length 55 x 75 x 750 mm	9524700003
Length 55 x 75 x 1000 mm	9524700004
Length 55 x 75 x 1250 mm	9524700005
Length 55 x 75 x 1500 mm	9524700006



CS-3000 Aluminium connection section			
---	--	--	--



Length 70 x 90 x 250 mm	9524500001
Length 70 x 90 x 500 mm	9524500002
Length 70 x 90 x 750 mm	9524500003
Length 70 x 90 x 1000 mm	9524500004
Length 70 x 90 x 1250 mm	9524500005
Length 70 x 90 x 1500 mm	9524500006
Length 70 x 90 x 1750 mm	9524500007
Length 70 x 90 x 2000 mm	9524500008



Tubes machined at one end
(machining templates supplied, available from stock)

Length 70 x 90 x 1000 mm	9524500009
Length 70 x 90 x 2000 mm	9524500010

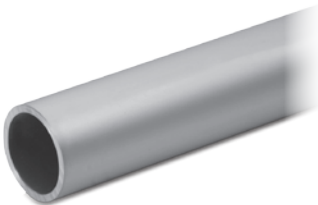
If one of our standard lengths does not suit your requirements, we can also supply tubes machined at one end. Simply shorten to the required length and use the supplied template to machine the shortened end.

Machined tubes to required lengths

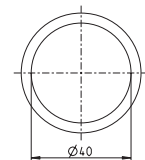
We can also supply completely machined tubes to the length you require (price and delivery time on request). Or use our Express Service.

Express Service

Round aluminium tubing			
Round aluminium tubes in different lengths. We can also supply completely machined tubes to the length you require. (Prices and delivery time on request)			



Length 48 x 4 x 250 mm	9521400000
Length 48 x 4 x 500 mm	9521401000
Length 48 x 4 x 750 mm	9521402000
Length 48 x 4 x 1000 mm	9521403000





**Switch systems –
Economy meets safety**



**Sensor systems –
Compact intelligence**



**Enclosure systems –
Function and design**

www.bernstein.eu

Contact

**International Headquarters
BERNSTEIN AG**
Hans-Bernstein-Str. 1
32457 Porta Westfalica
Fon +49 571 793-0
Fax +49 571 793-555
info@de.bernstein.eu
www.bernstein.eu

**Denmark
BERNSTEIN A/S**
Fon +45 7020 0522
Fax +45 7020 0177
info@dk.bernstein.eu

**France
BERNSTEIN S.A.R.L.**
Fon +33 1 64 66 32 50
Fax +33 1 64 66 10 02
info@fr.bernstein.eu

**Italy
BERNSTEIN S.r.l.**
Fon +39 035 4549037
Fax +39 035 4549647
info@it.bernstein.eu

**United Kingdom
BERNSTEIN Ltd**
Fon +44 1922 744999
Fax +44 1922 457555
info@uk.bernstein.eu

**Austria
BERNSTEIN GmbH**
Fon +43 2256 62070-0
Fax +43 2256 62618
info@at.bernstein.eu

**Switzerland
BERNSTEIN (Schweiz) AG**
Fon +41 44 775 71-71
Fax +41 44 775 71-72
info@ch.bernstein.eu

**Hungary
BERNSTEIN Kft.**
Fon +36 1 4342295
Fax +36 1 4342299
info@hu.bernstein.eu

**China
BERNSTEIN Safe Solutions
(Taicang) Co., Ltd.**
Fon +86 512 81608180
Fax +86 512 81608181
info@bernstein-safesolutions.cn